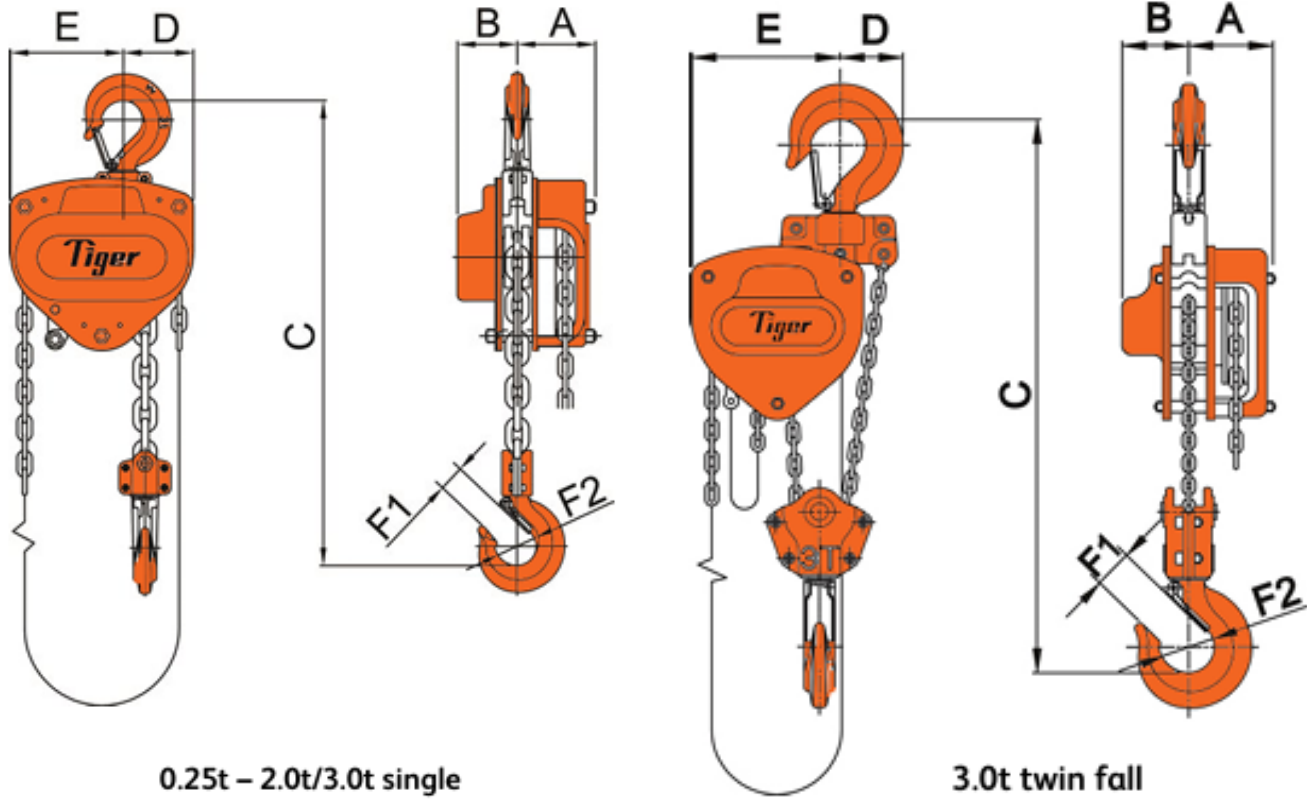


PROCB PROFESSIONAL CHAIN BLOCK

Capacity 0.25t - 3.0t



| | Product: | CB-0025 | CB-0050 | CB-0100 | CB-0150 | CB-0200 | CB-020L | CB-0300 | CB-030T |
|-------------------------------------|----------|---------|---------|---------|---------|---------|---------|---------|---------|
| | SKU: | 211-0- | 211-1- | 211-2- | 211-3- | 211-4- | 211-5- | 211-6- | 211-7- |
| Capacity | (t) | 0.25 | 0.5 | 1.0 | 1.5 | 2.0 | 2.0 | 3.0 | 3.0 |
| Effort | (kg) | 17 | 21 | 25 | 32 | 34 | 42 | 38 | 34 |
| A | (mm) | 64 | 93 | 93 | 98 | 101 | 98 | 109 | 98 |
| B | (mm) | 40 | 66 | 66 | 73 | 79 | 73 | 84 | 73 |
| C | (mm) | 240 | 305 | 340 | 385 | 420 | 399 | 500 | 488 |
| D | (mm) | 36 | 52 | 63 | 78 | 87 | 78 | 98 | 60 |
| E | (mm) | 60 | 78 | 87 | 102 | 113 | 102 | 157 | 148 |
| F1 | (mm) | 22 | 24 | 28 | 34 | 35 | 35 | 36 | 36 |
| F2 | (mm) | 31 | 38 | 45 | 51 | 53 | 53 | 56 | 56 |
| Load Chain Diameter | (mm) | Ø4.0 | Ø6.3 | Ø6.3 | Ø7.1 | Ø8.0 | Ø7.1 | Ø10.0 | Ø7.1 |
| Number of Falls | - | 1 | 1 | 1 | 1 | 1 | 1 | 1 | 2 |
| Standard Height of Lift | (m) | 3 | 3 | 3 | 3 | 3 | 3 | 3 | 3 |
| Mass at Standard Height of Lift | (kg) | 3.8 | 10.5 | 11.5 | 16.0 | 20.0 | 16.5 | 30.5 | 23.0 |
| Mass per Extra Metre Height of Lift | (kg) | 0.5 | 1.9 | 1.9 | 2.1 | 2.4 | 2.1 | 3.2 | 3.2 |



0.25t - 2.0t/3.0t single

3.0t twin fall

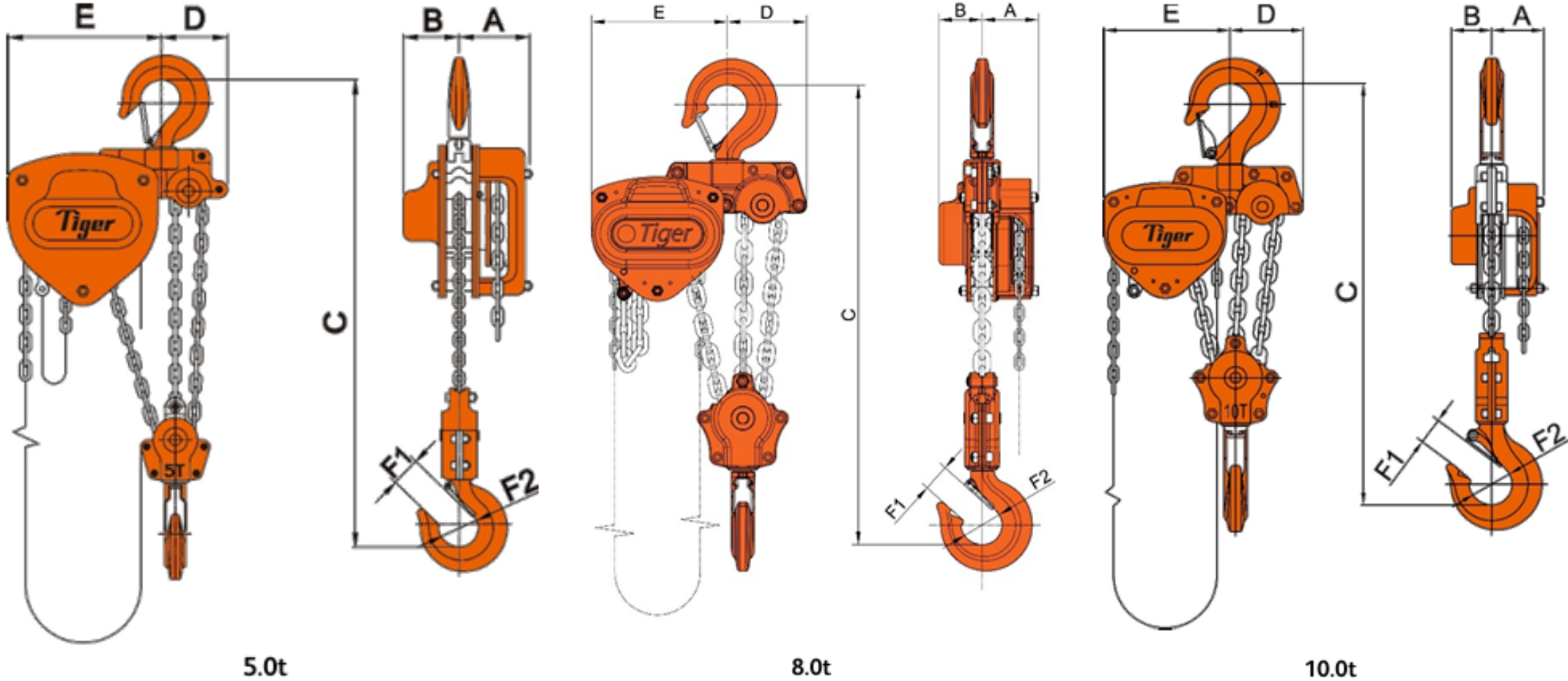
*For guidance only - verify suitability before use. E&OE. V1-26

PROCB PROFESSIONAL CHAIN BLOCK

Capacity 5.0t - 10.0t



| | Product: | CB-0500 | CB-0800 | CB-1000 |
|-------------------------------------|----------|---------|---------|---------|
| | SKU: | 211-8- | 211-9- | 211-10- |
| Capacity | (t) | 5.0 | 8.0 | 10.0 |
| Effort | (kg) | 31 | 34 | 40 |
| A | (mm) | 101 | 109 | 109 |
| B | (mm) | 79 | 84 | 84 |
| C | (mm) | 575 | 610 | 660 |
| D | (mm) | 122 | 153 | 153 |
| E | (mm) | 209 | 263 | 263 |
| F1 | (mm) | 49 | 51 | 54 |
| F2 | (mm) | 70 | 78 | 87 |
| Load Chain Diameter | (mm) | Ø8.0 | Ø10.0 | Ø10.0 |
| Number of Falls | - | 3 | 3 | 3 |
| Standard Height of Lift | (m) | 3 | 3 | 3 |
| Mass at Standard Height of Lift | (kg) | 37.5 | 61.0 | 64.0 |
| Mass per Extra Metre Height of Lift | (kg) | 5.2 | 7.5 | 7.5 |



*For guidance only - verify suitability before use. E&OE. V1-26

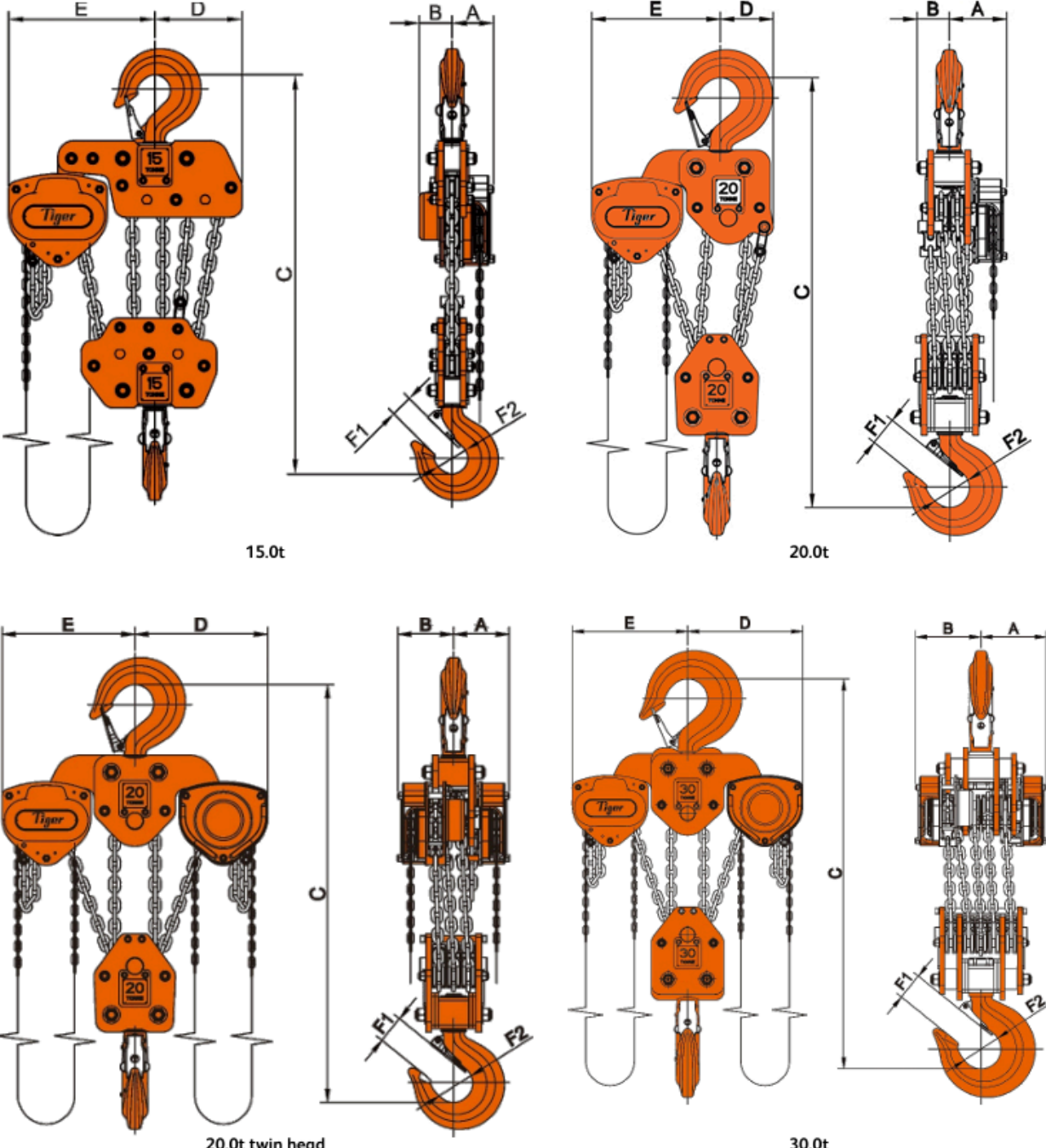


PROCB PROFESSIONAL CHAIN BLOCK

Capacity 15.0t - 30.0t



| | Product: | CB-1500 | CB-2000 | CB-200T | CB-3000 |
|-------------------------------------|----------|---------|---------|---------|---------|
| | SKU: | 211-11- | 211-12- | 211-13- | 211-14- |
| Capacity | (t) | 15.0 | 20.0 | 20.0 | 30.0 |
| Effort | (kg) | 41 | 43 | 43 | 42 |
| A | (mm) | 109 | 161 | 161 | 220 |
| B | (mm) | 84 | 90 | 161 | 220 |
| C | (mm) | 840 | 1050 | 1050 | 1200 |
| D | (mm) | 225 | 148 | 383 | 388 |
| E | (mm) | 378 | 360 | 383 | 388 |
| F1 | (mm) | 59 | 81 | 81 | 91 |
| F2 | (mm) | 81 | 110 | 110 | 135 |
| Load Chain Diameter | (mm) | Ø10.0 | Ø10.0 | Ø10.0 | Ø10.0 |
| Number of Falls | - | 5 | 6 | 6 | 10 |
| Standard Height of Lift | (m) | 3 | 3 | 3 | 3 |
| Mass at Standard Height of Lift | (kg) | 128.5 | 178.5 | 210.5 | 307.0 |
| Mass per Extra Metre Height of Lift | (kg) | 11.8 | 14.2 | 15.2 | 23.8 |



*For guidance only - verify suitability before use. E&OE. V1-26

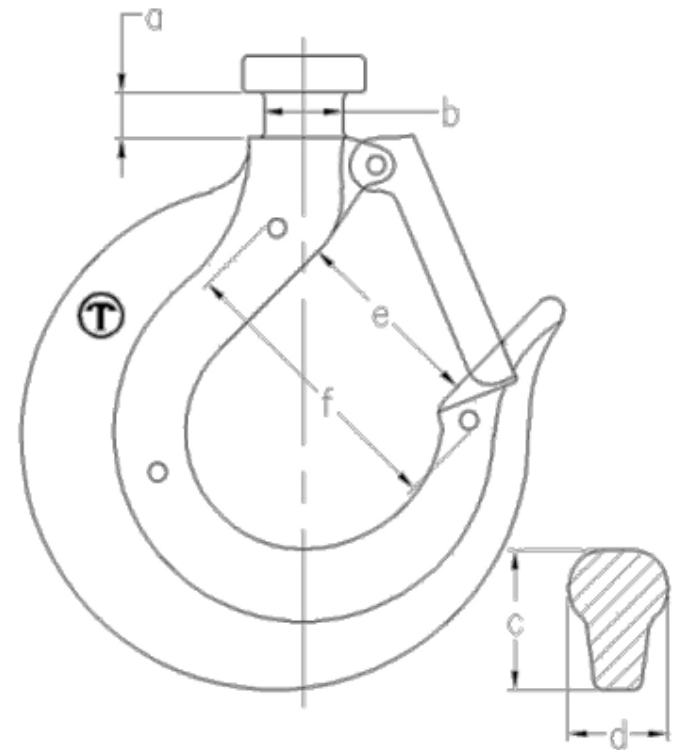


PROCB PROFESSIONAL CHAIN BLOCK

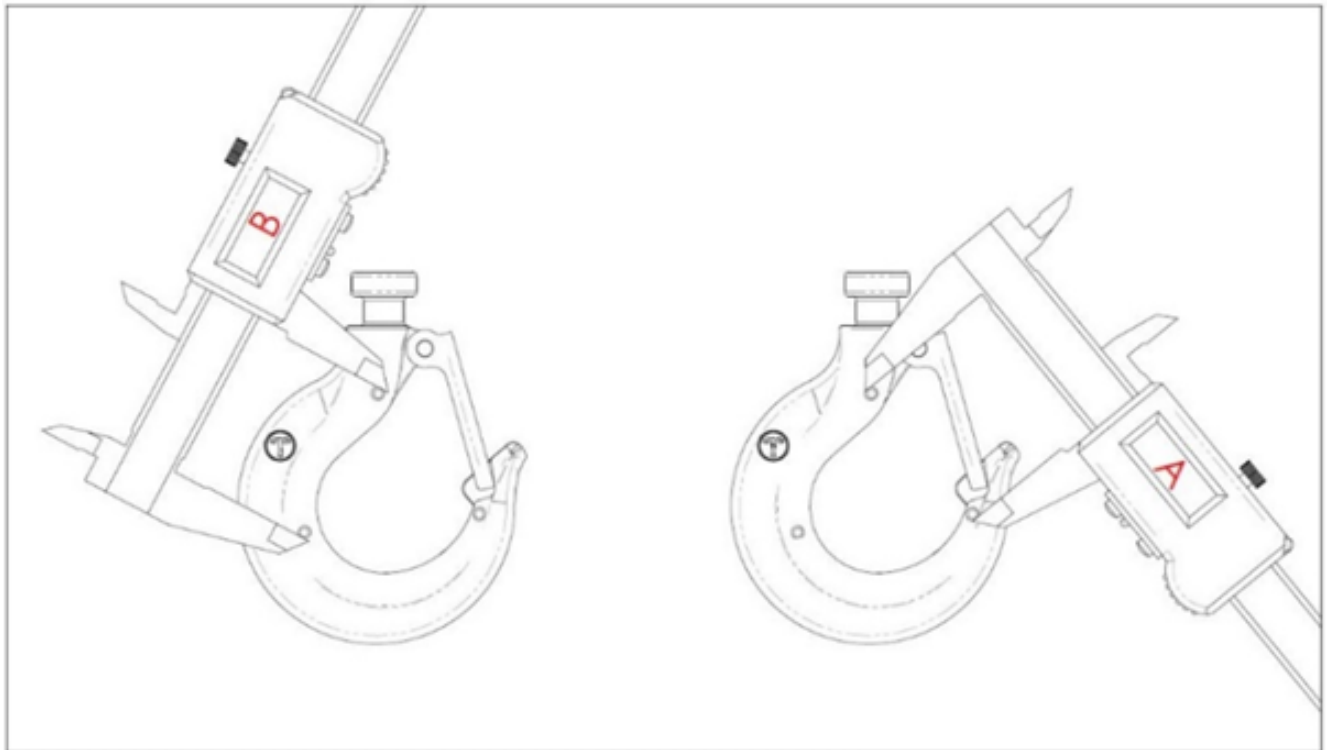
Hook Technical Data



| Product: | | CB-0025 | CB-0050 | CB-0100 | CB-0150 | CB-0200 | CB-020L | CB-0300 | CB-030T | CB-0500 | CB-0800 | CB-1000 | CB-1500 | CB-2000 | CB-200T | CB-3000 |
|--|--------|---------|---------|---------|---------|---------|---------|---------|---------|---------|---------|---------|---------|---------|---------|---------|
| SKU: | | 211-0- | 211-1- | 211-2- | 211-3- | 211-4- | 211-5- | 211-6- | 211-7- | 211-8- | 211-9- | 211-10- | 211-11- | 211-12- | 211-13- | 211-14- |
| Capacity | (t) | 0.25 | 0.5 | 1.0 | 1.5 | 2.0 | 2.0 | 3.0 | 3.0 | 5.0 | 8.0 | 10.0 | 15.0 | 20.0 | 20.0 | 30.0 |
| Collar Measurements | a (mm) | 5.0 | 8.0 | 8.0 | 10.0 | 9.0 | 9.0 | 12.5 | 12.5 | 19.0 | 20.7 | 20.0 | - | - | - | - |
| | b (mm) | 8 | 13.5 | 13.5 | 15.5 | 17.5 | 17.5 | 20 | 20 | 30 | 33 | 33 | 36 | 48 | 48 | 56 |
| Hook Thickness at Point Shown on Diagram | c (mm) | 18 | 19 | 23 | 26 | 30 | 30 | 37 | 37 | 43 | 50 | 52 | 67 | 77 | 77 | 94 |
| | d (mm) | 12 | 15 | 17 | 21 | 22 | 22 | 32 | 32 | 36 | 43 | 48 | 60 | 72 | 72 | 78 |
| Hook Throat Opening | e (mm) | 26 | 29 | 34 | 39 | 42 | 42 | 42 | 42 | 57 | 60 | 70 | 65 | 90 | 90 | 101 |
| "EZ Check" Measurement | f (mm) | 43 | 47 | 52 | 59 | 64 | 64 | 76 | 76 | 86 | 110 | 121 | 130 | 162 | 162 | 177 |



PROCB chain blocks are fitted with the patented Tiger “EZ check” 3 point marking system. With this system a quick check that the A and B measurements are the same (as shown in the diagram below) will indicate if the hooks have stretched. If $A \leq B$ the hook is fine; If $A > B$ the hook needs to be replaced.



*For guidance only - verify suitability before use. E&OE. V1-26